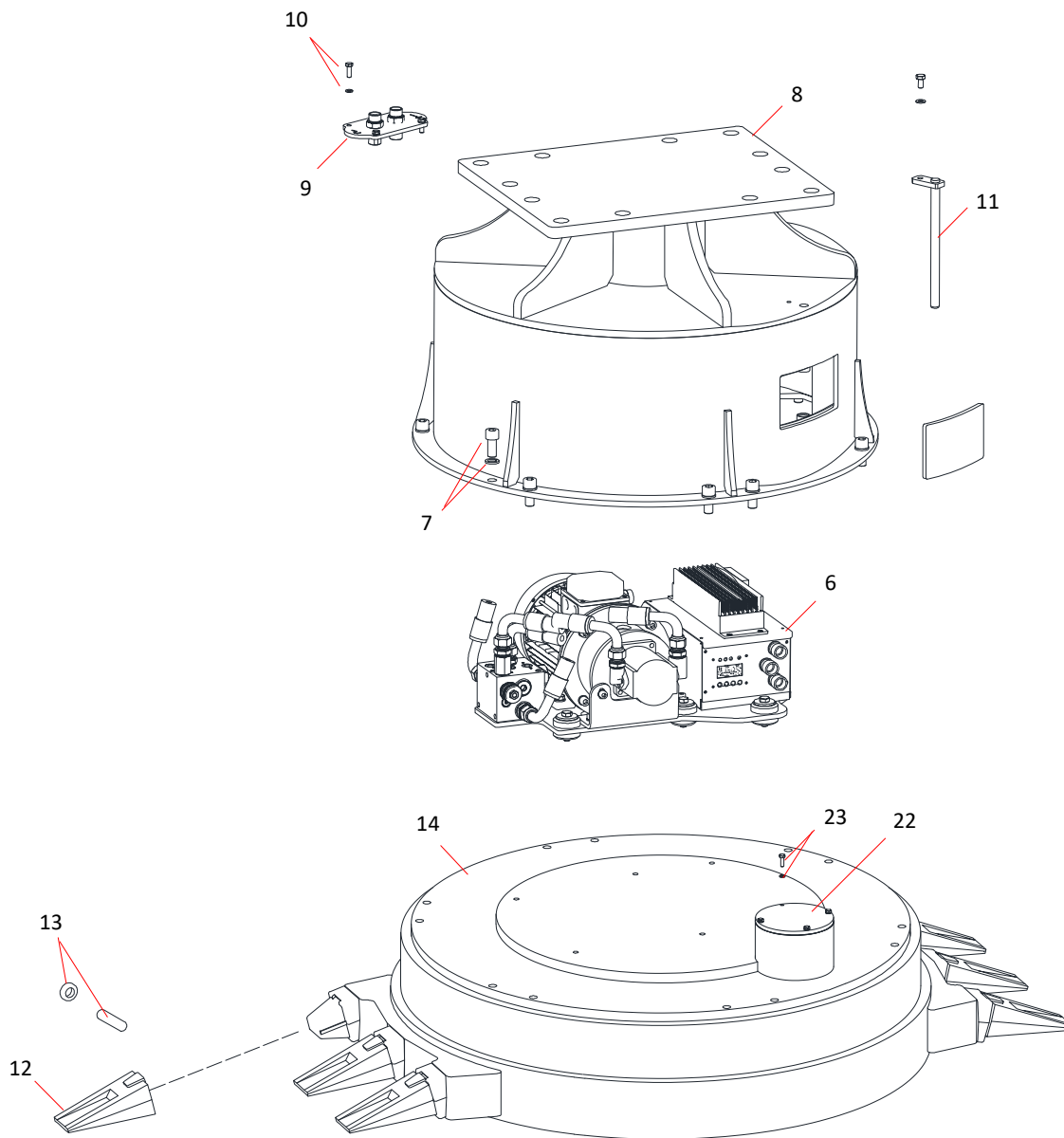


AM 105IC



POS.	Q.TY	PART No.	DESCRIPTION
6	1	GCM01A04	HYDRAULIC GENERATOR SET
7	1	KIT114V001	COVER SCREWS - SET OF 12
8	1	COP002P	MAGNET COVER WITH ATIB2000 PLATE
9	1	PSP-007-PT	PASS THROUGH PLATE
10	1	KIT114V002	PASS THROUGH PLATE SCREWS - SET OF 4
11	1	PRN_COP	COVER PIN
12	6	DPT001_CAT	TEETH TIP
13	6	KIT-DPT_CAT	TEETH PIN AND WASHER
14	1	BASE02D105 (C)	MAGNETIC BASE WITH TEETH (C)
22	1	COP_U.C	CONNECTION SOCKET CAP
23	1	KIT114V003	SCREWS OF CONNECTION SOCKET CAP - SET OF 4